



Commercial  
Vehicles

# The New Crafter Runner

## Specifications



# Features and Specifications

## Safety and Security

### Airbags

Front airbag for driver and front passenger

Side and curtain airbags for driver and front passenger

### Seat belts

3-point seat belts with height adjustment and belt tensioners for driver and front passengers

Seat belt warning light and buzzer for driver seat

### Brakes and Traction Control

Multi-Collision Brake (MCB)

Adaptive Electronic Stabilisation Programme (ESP)

Anti-Lock Braking System (ABS)

Brake Assist (BA)

Traction Control System (TCS)

Electronic Differential Lock (EDL)

Hill Start Assist

Crosswind Assist

### Driver Assistance Technology

Front Assist with City Emergency Brake\*

Driver Fatigue Detection\*

Front and Rear Park Distance Control (PDC) with Rear-View Camera\*

### Lighting

Twin Halogen headlights

Headlight range adjustment

Daytime Running Lights (DRL)

High rear stop light

Rear fog light

## Medium Wheelbase

## Long Wheelbase

●

●

●

●

●

●

●

●

●

●

●

●

●

●

●

●

●

●

●

●

●

●

●

●

●

●

●

●

●

●

●

●

●

●

●

●

●

●

●

●

\*Safety technologies are designed to assist the driver, but should not be used as a substitute for safe driving practices.

● Standard

## Safety and Security

### Medium Wheelbase

### Long Wheelbase

#### Locking

Engine immobiliser (electronic)

●

●

Central locking system with radio remote control and interior release mechanism

●

●

Two (2) remote control folding keys

●

●

#### Head Restraints

Front safety optimised head restraints, height adjustable

●

●

## Exterior Equipment and Styling

#### Doors

Sliding door, left, in load compartment

●

●

Rear barn doors with heated window, rear wiper and washer system

●

●

#### Windows

Heat-insulating windshield made of laminated glass

●

●

Heat-insulating glass (green)

●

●

Windscreen wiper intermittent control

●

●

Heated rear windows with wiper/washer system

●

●

Power windows with comfort operation and circuit breaker (front)

●

●

#### Body Enhancements

Black bumper bar in front with painted trim panel in body colour

●

●

Black exterior mirror housings and door handles

●

●

Black side protective strips

●

●

Unpainted radiator grille with 1 chrome molding

●

●

Roof rack mounting points

10

13

Trailer hitch preparation (including trailer stabilisation)

●

●

Side reflectors

●

●

Underbody stone guard

●

●

One towing eye in front and in rear

●

●

#### Wheels and Tyres

16" steel wheels with centre wheel trim - 205/75 R16 C113/111

●

●

Steel spare wheel - full size

●

●

Tool kit with vehicle jack

●

●

## Comfort and Convenience

## Medium Wheelbase

## Long Wheelbase

### Air Conditioning

Climatic air conditioning system with dust and pollen filter in the cabin



### Cruise Control

Cruise Control, including speed limiter



### Floor Covering

Rubber floor covering in cabin



### In-Car Entertainment and Technology

#### Composition Media audio system with App-Connect<sup>^</sup>

8" colour touch screen display with proximity sensor, AM/FM radio, CD player (MP3/WMA compatible), 2 x SD card slot, AUX-IN/USB inputs (iPod<sup>®</sup>-compatible), Voice Control and four (4) speakers. Car menu with convenience and service settings. Includes display for Park Distance Control\* and Rear-View Camera\*. App-Connect<sup>^</sup> USB interface for Apple CarPlay<sup>®</sup>, Android Auto<sup>™</sup> and MirrorLink<sup>®</sup> in dash panel



Bluetooth<sup>®</sup> phone connectivity with contacts display and Bluetooth<sup>®</sup> audio streaming, operation via touch screen audio unit or Multi-Function Display



Audio, telephone, cruise control and Multi-Function Display controls mounted on steering wheel



### Instrumentation

Speedometer and tachometer, electronic odometer and trip meter, service interval display, fuel and coolant gauges, low fuel warning light, adjustable illumination; chrome applications of the instrument cluster



Multi-Function Display (MFD Plus) - exterior temperature, speed limit warning, average fuel consumption, brake pad wear indicator, average speed, current fuel consumption, range, journey time, service, gear recommendation, time, digital speed display, digital oil temperature gauge, regulation of the language, light and sound



### Interior Lighting

Two (2) LED reading lights in cabin



Two (2) roof lights in load compartment



### Load Compartment

Lashing rings for load restraint

10

12

Two (2) 12 Volt sockets in the load area



Partition (high) with window and protective grille



Grab handle on the partition in the load area on the passenger side



<sup>^</sup>App-Connect is compatible for selected apps with the latest smartphone versions of iOS and Android. \*Safety technologies are designed to assist the driver, but should not be used as a substitute for safe driving practices.

## Comfort and Convenience

## Medium Wheelbase

## Long Wheelbase

### Mirrors

Exterior mirrors with integrated LED turn signal and wide angle range (left: convex, right: convex)

●

●

Exterior mirrors, power adjustable and heated

●

●

Dimming breakaway interior rear view mirror

●

●

### Power Steering

Electro-mechanical power-assisted rack & pinion steering

●

●

### Seating

Comfort Seat "Plus" for driver, longitudinal and height adjustment, electronically 4-way adjustable lumbar support, dual armrests

●

●

2-seater bench for front passengers with under seat storage and foldable table in the backrest

●

●

Cloth seat covering "Austin"

●

●

Grab handles for driver and front passenger

●

●

### Steering Wheel

Multi-function steering wheel

●

●

Audio, telephone, cruise control and Multi-Function Display controls mounted on steering wheel

●

●

Steering wheel height and tilt adjustment

●

●

### Storage

Storage compartment under front passenger bench seat

●

●

Illuminated glove compartment with lockable lid

●

●

Overhead storage with two 1 DIN-slots and reading lamp

●

●

Four (4) cup holders in the dashboard

●

●

Front door pockets

●

●

Front sunvisors (folding and swiveling) with wide angle mirror on the front passenger side and ticket holder on both sides

●

●

Open storage compartments in the dashboard above the glovebox

●

●

Open storage compartment next to gear lever

●

●

Two (2) 12 Volt sockets in the dashboard

●

●

### Body Builder Item

Electrical terminal block

●

●

# Technical Specifications

---

## Engine

Type	4-cylinder diesel engine, common rail direct injection
Max power, kW @ rpm	103 @ 3,500
Max torque, Nm @ rpm	340 @ 2,000
Cubic capacity, litres/cc	2.0 / 1,968
Bore/stroke, mm	81.0 x 95.5
Compression ratio	15.5 : 1

## Transmission

### 6 Speed Manual

Driven wheels	Front Wheel Drive
---------------	-------------------

## Running Gear

Suspension	
Front Axle	MacPherson strut with double wishbone and anti-roll bar
Rear Axle	Rigid rear axle on leaf springs with load-dependent damper and anti-roll bar

Steering	Electro-mechanical power-assisted rack & pinion steering
----------	--

Brake systems	Anti-lock Braking System (ABS) with Electronic Brake-pressure Distribution (EBD), Brake Assist and Electronic Stabilisation Program (ESP). Brake energy recuperation.
---------------	---

Brakes	
Front disc brakes, mm	303 x 28 ventilated
Rear disc brakes, mm	300 x 22 ventilated

---

# Technical Specification

## WEIGHTS AND CAPACITIES

WEIGHTS	MWB	LWB
Gross Vehicle Weight (GVM), kg	3,550	3,550
Unladen Mass <sup>1</sup> , kg	2,085	2,228
Payload <sup>2</sup> maximum, kg	1,465	1,322
Front axle load limit, kg	1,800	1,800
Rear axle load limit, kg	1,997	2,100
Towing Capacity - Braked <sup>#</sup> (kg)	2,500	2,500
Towing Capacity - Unbraked (kg)	750	750
Towing Downball Load (kg)	150	150
Roof Load (kg)	300	150

EXTERIOR DIMENSIONS	MWB	LWB
Wheelbase (mm)	3,640	4,490
Vehicle Length (mm)	5,986	6,836
Vehicle Width (mm) including mirrors	2,427	2,427
Vehicle Width (mm) excluding mirrors	2,040	2,040
Vehicle Height (mm)	2,355	2,590
Front Overhang (mm)	1,000	1,000
Rear Overhang (mm)	1,346	1,346
Front Wheel Track (mm)	1,773	1,788
Rear Wheel Track (mm)	1,773	1,788
Ground Clearance (mm)	210	210
Slope Angle - Front (degrees)	19.3	19.3
Slope Angle - Rear (degrees)	13.3	13.3
Ramp Angle (degrees)	12.6	12.6
Turning Circle (m)	13.6	16.2

INTERIOR	MWB	LWB
Seating capacity	3	3
Cargo Volume (L) - behind 1st row	9,900	14,400
Load Compartment Length (mm)	3,450	4,300
Load Compartment Width (mm) - maximum	1,832	1,832
Load Compartment Width (mm) - at wheel arches	1,380	1,380
Load Compartment Height (mm)	1,726	1,961
Sliding Door Width (mm)	1,311	1,311
Sliding Door Height (mm)	1,587	1,822
Tailgate Width (mm)	1,552	1,552
Tailgate Height (mm)	1,605	1,840
Load Sill Height (mm)	570	570

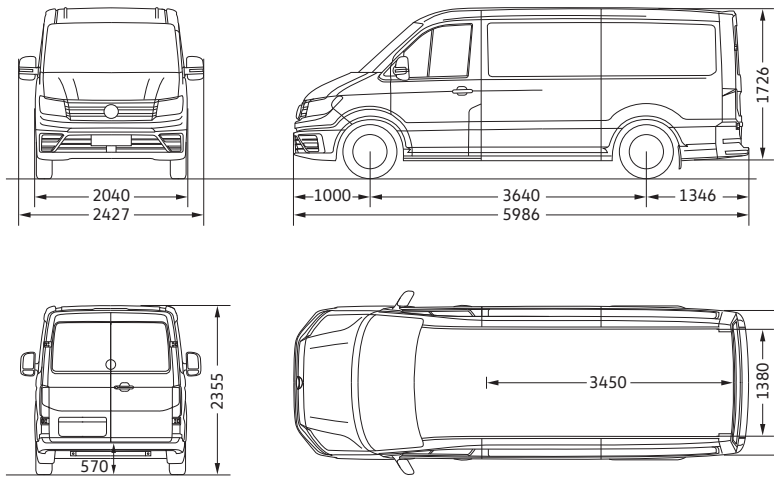
1. The Unladen Mass (UM) includes 10L of fuel, vehicle fluids and no occupants. Figures quoted are for base model vehicles only.

2. Payload is defined as the Gross Vehicle Mass (GVM) minus the Kerb Mass. Payload is the maximum combined weight of occupants, cargo, added structures and tow ball down weight (when towing). GVM must not be exceeded.

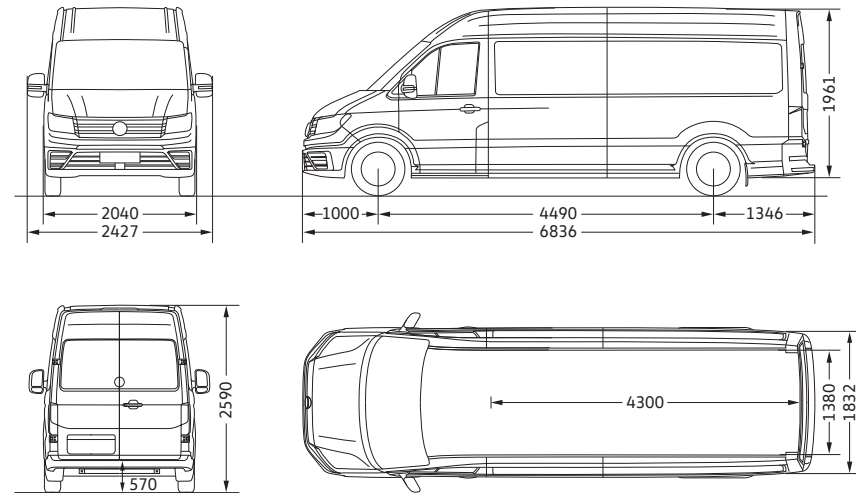
<sup>#</sup> Please note towing capacities are applicable to Volkswagen Genuine Accessory Tow Bar. Towing capacity figures are maximum figures and actual towing capacity depends on factors including the laden mass of the vehicle, driving conditions and fitment of any accessories. Volkswagen Group Australia does not endorse or will not be held liable for any claim, loss or damage arising from the use or fitment of electronic trailer brakes.

# Dimensions

Crafter 35 Van Runner Medium Wheelbase Standard Roof



Crafter 35 Van Runner Long Wheelbase High Roof



# Colour and Trim



Candy White | Solid paint finish | B4B4



"Austin" upholstery in Titanium Black

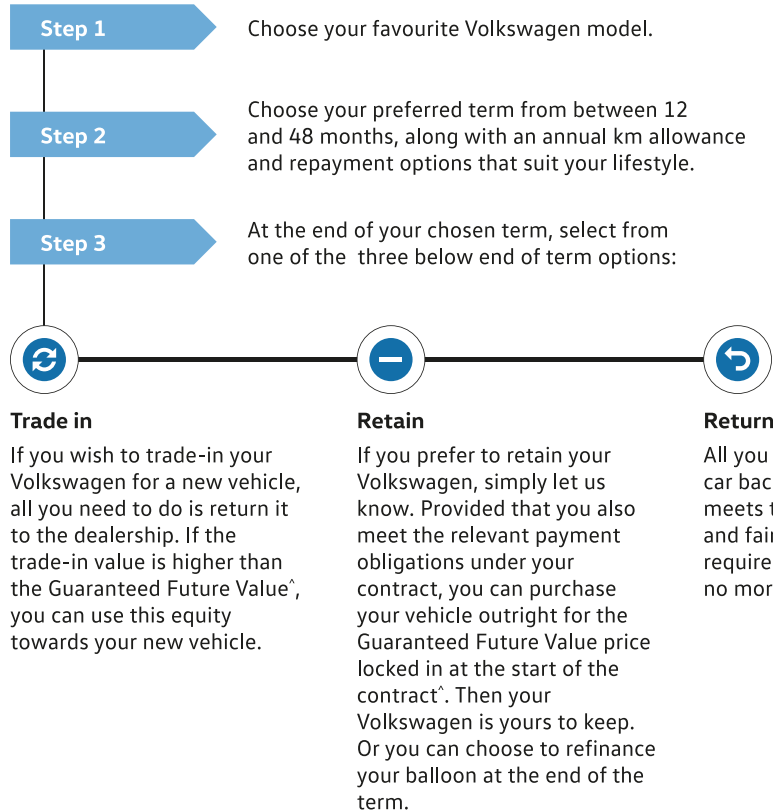


# Volkswagen Choice: Protecting your investment.

Volkswagen Choice

Guaranteed Future Value

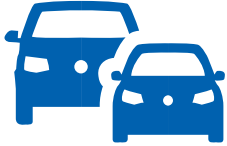
We're out to prove that there still are some guarantees in life. We've developed Volkswagen Choice<sup>^</sup> - a flexible finance solution that provides you with the assurance of knowing exactly what the minimum value of your vehicle will be down the track. With Volkswagen Choice<sup>^</sup>, you can enjoy your car without worrying about what the future will bring, providing peace of mind.



<sup>^</sup>The Volkswagen Choice Program consists of an option to return the vehicle to Volkswagen Financial Services (VFS)\*\* at the end of the term and require VFS\*\* to purchase the vehicle at an agreed price known as the Guaranteed Future Value or GFV as determined by VFS\*\* and set out in your contract. At the end of the term, you can elect to: (1) trade-in the vehicle; (2) exercise the option to return the vehicle; or (3) retain the vehicle by paying the GFV. The GFV is not a representation by VFS\*\* as to the likely market value of the vehicle as at the end of your contract. The option is available on new and demonstrator Volkswagen vehicles for selected models only. Please verify with your dealership the vehicles that are eligible for the program. The GFV will be reduced, and you will be liable for any loan contract deficit, if you exceed the nominated kilometre allowance and/or the vehicle is not in an acceptable condition in accordance with the Fair Wear and Tear Guide available at [www.vwfinancialservices.com.au](http://www.vwfinancialservices.com.au). Other terms and conditions apply. The cost of the Volkswagen Choice Program is incorporated into the applicable interest rate. Please read the full terms and conditions. Please consider whether these products and services are appropriate for your circumstances. Before acting on any of the information on this page, please seek independent financial and tax advice. Full terms and conditions are available upon application. Available only to approved applicants of VFS\*\*. Subject to credit assessment. Standard fees and charges apply. Fleet, government, rental buyers, hire car and chauffeur companies are excluded. Available at participating Volkswagen dealers. \*\*VFS is a trading name of Volkswagen Financial Services Australia Pty Limited ABN 20 097 071 460. Australian Credit Licence 389344.

# General information

## Owning a Volkswagen



### 3 Years 24-Hour Roadside Assistance

As a valued customer, you can be assured that wherever you travel within Australia, you will have access to roadside assistance, 24 hours a day, 365 days a year. This is complimentary for the duration of the vehicle's original Volkswagen warranty period. You will receive help in the event of a breakdown or accident and, if required, your vehicle will be mobilised or transported to an authorised Volkswagen Dealer. As a Volkswagen owner you will also have access to the additional benefits of accommodation and car rental if your vehicle cannot be mobilised within 24 hours, when you are over 100km away from home.

### Volkswagen New Vehicle Warranty

Every new Volkswagen vehicle is covered by a three year unlimited kilometre manufacturer's warranty, which includes Volkswagen Assist (24-hour roadside assistance). It is also covered by a 3 year paintwork and 12-year anticorrosion perforation warranty. Conditions and exclusions apply, please consult your local Volkswagen Dealer or visit [www.volkswagen.com.au/warranty](http://www.volkswagen.com.au/warranty). Your rights under this warranty are provided in addition to, and in some cases overlap with, consumer guarantees under Australian Consumer Law and do not limit or replace them.



### Volkswagen Genuine Parts®

Volkswagen Genuine Parts® are designed for your vehicle and approved by Volkswagen, with particular regard to safety. The workmanship, dimensional accuracy and materials used in these parts comply with factory specifications. To ensure safety and reliability, Volkswagen recommends the use of Volkswagen Genuine Parts®. All Volkswagen Genuine Parts® come with a 2 year unlimited kilometre warranty. Warranty for accessories fitted on the vehicle at time of delivery is 3 years unlimited kilometres warranty. Conditions and exclusions apply, see [www.volkswagen.com.au/warranty](http://www.volkswagen.com.au/warranty) for details. Your rights under this warranty are provided in addition to, and in some cases overlap with, consumer guarantees under Australian Consumer Law and do not limit or replace them.

### Volkswagen Financial Services

Choosing a new car is a very personal thing, and we think car finance should be just as personal. We are here to help you create an individually tailored mobility solution that's perfect for your budget, your lifestyle and your new vehicle. When you choose an exceptional vehicle, it makes sense to choose an exceptional finance product to match. That's why we've designed our finance options specifically for Volkswagen drivers, offering excellent flexibility, reliability and service for the discerning motorist. And because your finance package is individually tailored with the features you need, it's both practical and affordable. Speak to your local participating authorised Volkswagen Dealer today to put together a solution that best suits your lifestyle.



### Volkswagen Assured Service

Volkswagen Assured Servicing provides clear and transparent service pricing for your Volkswagen's first 5 scheduled services at an authorised Volkswagen Dealer. To find out the cost of your Volkswagen's next standard scheduled service visit the Service Pricing Guide on [www.volkswagen.com.au](http://www.volkswagen.com.au)

## Volkswagen Choice

### Guaranteed Future Value

#### Volkswagen Choice<sup>^</sup>

Naturally we understand that your Volkswagen represents a valuable investment, and you seek to protect that investment. Volkswagen Choice<sup>^</sup> is a finance program tailored to the requirements of Volkswagen owners by providing assurance around your Volkswagen's future value<sup>^</sup>, whilst offering simple monthly instalment financing options. Whether you are selecting your new Volkswagen for business or personal use, you can choose the contract term that best suits your requirements. Enjoy the confidence that comes from having locked in a minimum value up front to be attributed to your vehicle at the end of your contract<sup>^</sup>. There are also no account keeping fees with a fixed interest rate.

<sup>^</sup>The Volkswagen Choice Program consists of an option to return the vehicle to Volkswagen Financial Services (VFS)\*\* at the end of the term and require VFS\*\* to purchase the vehicle at an agreed price known as the Guaranteed Future Value or GFV as determined by VFS\*\* and set out in your contract. At the end of the term, you can elect to: (1) trade-in the vehicle; (2) exercise the option to return the vehicle; or (3) retain the vehicle by paying the GFV. The GFV is not a representation by VFS\*\* as to the likely market value of the vehicle as at the end of your contract. The option is available on new and demonstrator Volkswagen vehicles for selected models only. Please verify with your dealership the vehicles that are eligible for the program. The GFV will be reduced, and you will be liable for any loan contract deficit, if you exceed the nominated kilometre allowance and/or the vehicle is not in an acceptable condition in accordance with the Fair Wear and Tear Guide available at [www.vwfinancialservices.com.au](http://www.vwfinancialservices.com.au). Other terms and conditions apply. The cost of the Volkswagen Choice Program is incorporated into the applicable interest rate. Please read the full terms and conditions. Please consider whether these products and services are appropriate for your circumstances. Before acting on any of the information on this page, please seek independent financial and tax advice. Full terms and conditions are available upon application. Available only to approved applicants of VFS\*\*. Subject to credit assessment. Standard fees and charges apply. Fleet, government, rental buyers, hire car and chauffeur companies are excluded. Available at participating Volkswagen dealers. \*\*VFS is a trading name of Volkswagen Financial Services Australia Pty Limited ABN 20 097 071 460. Australian Credit Licence 389344

# The New Crafter Runner

Volkswagen Group Australia Pty Ltd  
24 Muir Road Chullora NSW 2190  
ABN 14 093 117 876

Printed in Australia  
November 2017  
[www.volkswagen.com.au](http://www.volkswagen.com.au)

Publication: VWCCRAFRUNSPMY18

#### **Important information**

Apple CarPlay® and iPod® are registered trademarks of Apple Inc. Android Auto™ is a registered trademark of Google Inc. MirrorLinkR is a registered trademark of Car Connectivity Consortium LLC. BluetoothR is a registered trademark of Bluetooth SIG Inc.

Volkswagen is distributed by Volkswagen Group Australia Pty Ltd, 24 Muir Road, Chullora, NSW 2190, ABN 14 093 117 876. Specifications are as planned at November 2017, for Model Year 2018 and are subject to change without notice or obligation. All information in this brochure is correct at the time of publication, however variations may occur from time to time and Volkswagen, in so far as it is permitted by law to do so, shall not be liable in any way as a result of any reliance by any person on anything contained in this brochure. Authorised Volkswagen dealers will provide up-to-date information on model application, design feature, prices and availability on request. All colours are a general guide only, as the printing process cannot reproduce the actual exterior colour appearance. See your dealer to confirm colour/model availability.

Your Volkswagen dealer.